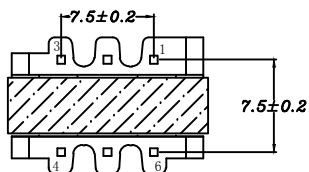
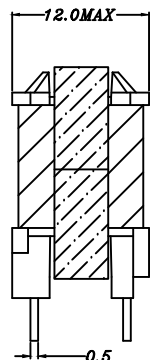
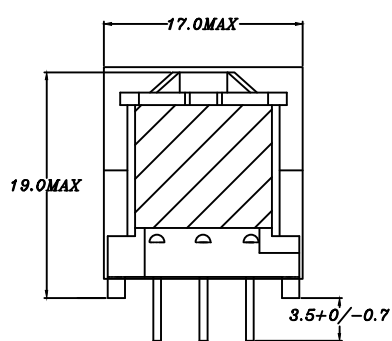


|                   |      |                 |
|-------------------|------|-----------------|
| CUSTOMER TERMINAL | ROHS | Lead (Pb) -free |
|                   | YES  | YES             |

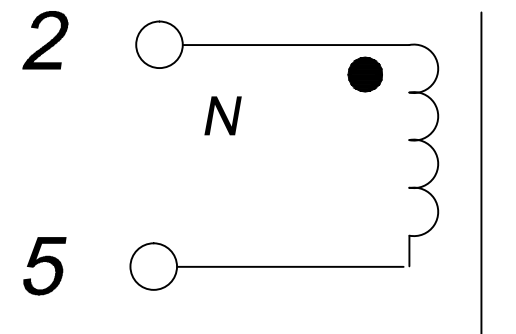


### 1. Mechanical Dimensions



Note: cut off PIN1,4

### 2. Winding:



### 3. Material List

Core:FW44-EF16/8/5  
 Bobbin:FWB1606A  
 Wire:2UEW

### 4. Electrical Specification

Inductance:  $L(2-5) = 200\mu H \pm 20\%$  10.0KHZ 0.05V  
 DCR:  $(2-5) = 165m\Omega$  MAX  
 HI-POT: coil-core AC 1200V 5mA 5s

|             |       |  |      |                                      |                            |
|-------------|-------|--|------|--------------------------------------|----------------------------|
| REV.        | DATE  | <br>Convention Placement                             | DRW. | Drawing Title:<br><b>TRANSFORMER</b> | Part No:                   |
| 0           | 08/13 |  | CHK. |                                      | Customer P/N:              |
| <b>RoHS</b> |       | <a href="http://www.ferriwo.com">www.ferriwo.com</a> | APP. |                                      | Specification Sheet 1 of 1 |